



\* All images are for illustrative purposes only.

**INDOOR** LG DVLED SIGNAGE

# LSCB Ultra Slim Series



Ultra Slim Depth



Seamless Installation



16:9 FHD/UHD Configuration



90° Corner Design Available



EMC Class B Certified & Fire Resistant Design

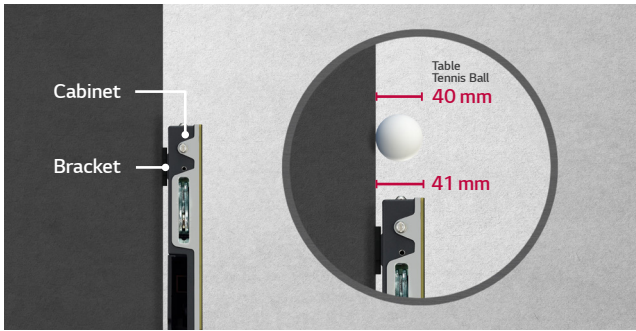


Customize with Flat and Curved Panels



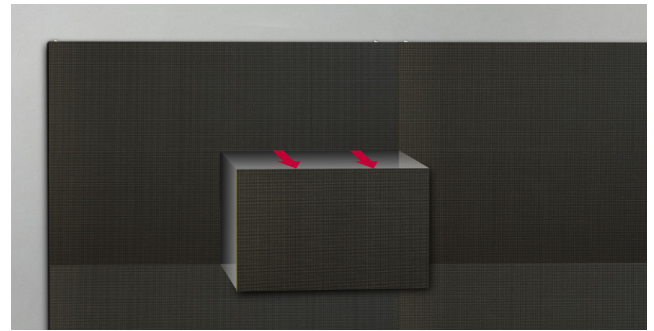
Compatible with LG Software Solutions





### Ultra Slim Depth

With an edge thickness of just 41 mm, the LSCB series ultra slim cabinets can be installed in a wide variety of venues with virtually no restrictions, creating a dynamic display that will immerse and captivate viewers.



### Front or Rear Installation & Maintenance

The LSCB series cabinets can be accessed from the front or rear for maintenance for added convenience and enhanced installation options.



### 16:9 FHD/UHD Configuration

Each cabinet features a 16:9 aspect ratio configuration for a perfect match to existing 16:9 content, but not limited to just 16:9 content.



### 90° Corner Design Available

The LSCB series offers an optional 90° corner configuration which can add dramatic impact to existing environments, delivering smooth, dynamic content to viewers.



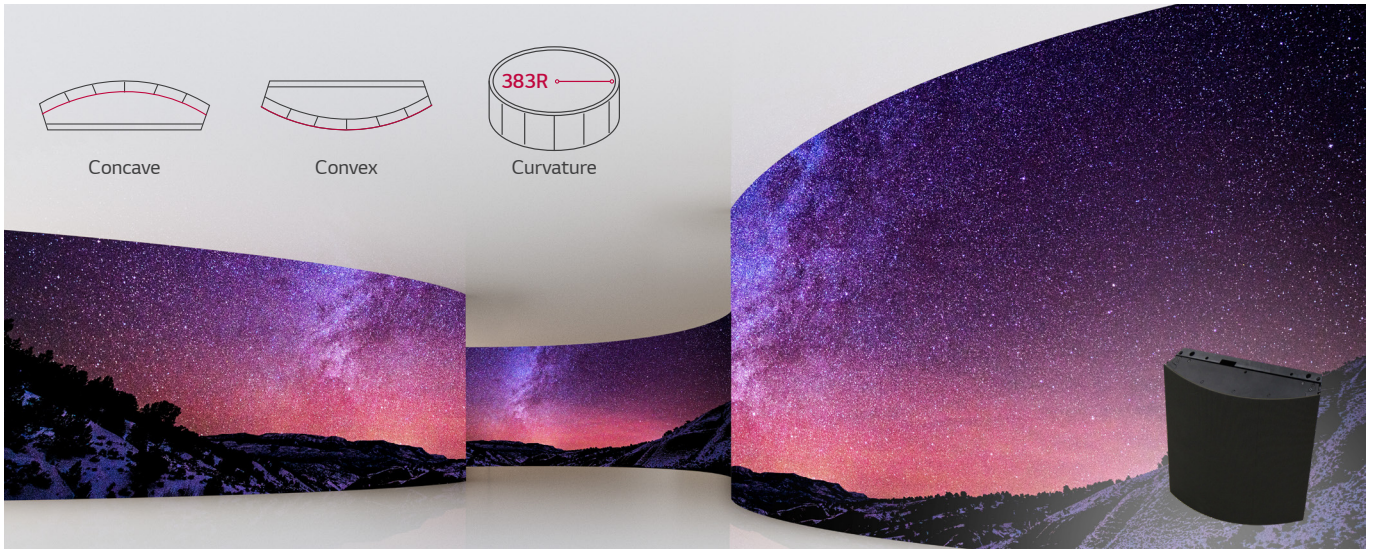
### EMC Class B Certified & Fire Resistant Design

For added safety and peace of mind, EMC Class B certification ensures that the LSCB series is safe from harmful electromagnetic waves and is designed to be fire-resistant.



### Compatibility with LG Software Solutions

With the LG CVCA system controller, this series is compatible with LG software solutions including SuperSign CMS, LED Assistant, and ConnectedCare, which help customers operate their own business deftly.

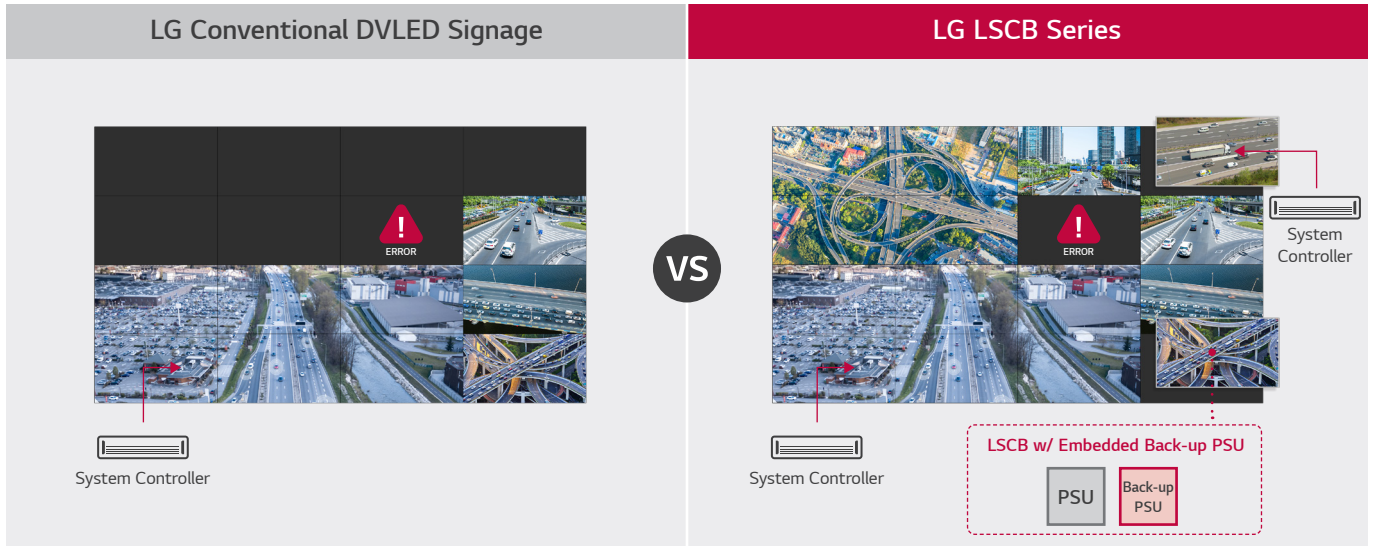


### Flexible Curve LED Display

The LSCB-CKF, a specially-designed flexible curved LED display, supports true concave and convex curvatures up to 15 inches.\* This greatly enhances the display's flexibility, which allows designers to freely create the curved screen as they want.

\* Applied to the LSCB15-CKF, LSCB18-CKF, and LSCB25-CKF models only. The LSCB12-CKF supports curvatures of up to 67.7 inches.

### LSCB Versus LG Conventional DVLED Signage\*



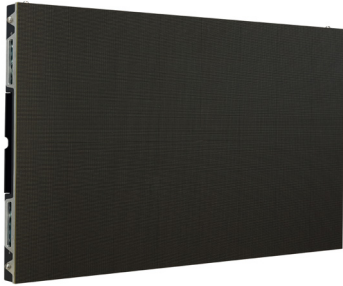
### Power/Signal Redundancy Support

The LSCB series is designed to support redundancy of signal and power, providing users with ease of mind. With an optional embedded backup power supply unit and signal redundancy, customers may experience the continuous operation of the screen without power failure, while the dual controllers can reduce screen failures with bi-directional signal input.

\* The "Conventional" shown above refers to LED displays which do not support the optional power/signal redundancy mode. Additional costs apply for optional power redundancy.



## PRODUCT INFORMATION



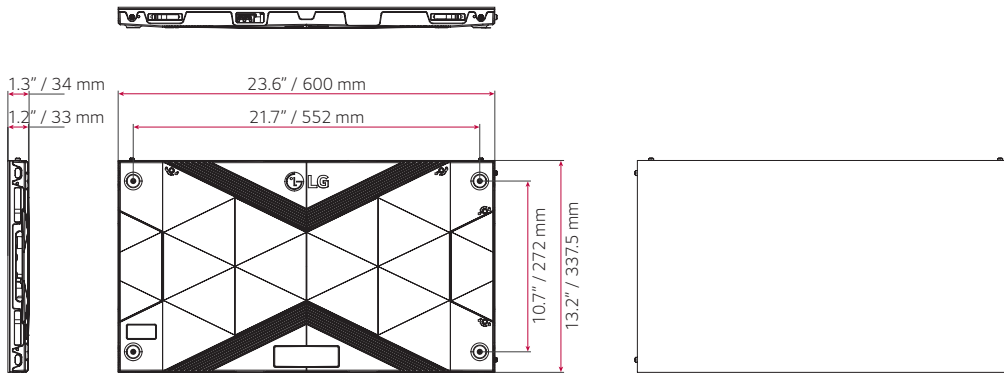
### LSCB Series

Pixel Pitch	1.25 / 1.56 / 1.88 / 2.50 mm
Brightness	800 nits
Cabinet Weight	11.7 lbs. / 5.3 kg
Serviceability	Front
IP Rating	IP30

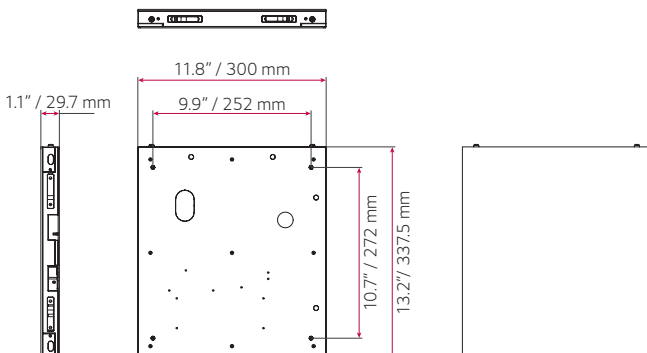
Cabinet	Standard	Power Redun.	Mini	Curved
Pixel Pitch P1.2	LSCB012-RK/RN	LSCB012-PK/PN	LSCB012-CK	LSCB012-CKF
Pixel Pitch P1.5	LSCB015-RK/RN	LSCB015-PK/PN	LSCB015-CK/CN	LSCB015-CKF/CNF
Pixel Pitch P1.8	LSCB018-RK/RN	LSCB018-PK/PN	LSCB018-CK/CN	LSCB018-CKF/CNF
Pixel Pitch P2.5	LSCB025-RK/RN	LSCB025-PK/PN	LSCB025-CK/CN	LSCB025-CKF/CNF

## DIMENSIONS

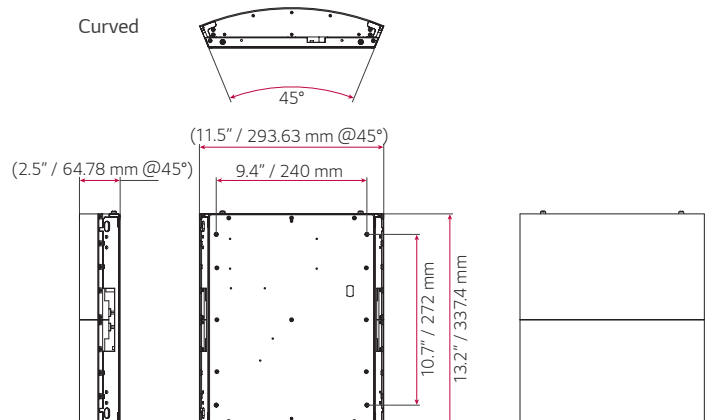
Standard



Mini



Curved



## PANEL SPECIFICATIONS

Panel	Model Name	LSCB012-RK	LSCB015-RK	LSCB018-RK	LSCB025-RK
Physical Parameters	Pitch Name	P1.25	P1.56	P1.88	P2.50
	Pixel Configuration	Single SMD	Single SMD	Single SMD	Single SMD
	Pixel Pitch (mm)	1.25	1.56	1.88	2.50
	Module Resolution (W x H, pixels)	240 x 135	192 x 108	160 x 90	120 x 135
	Module Dimensions (W x H)	11.8 x 6.6 in. 300 x 168.75 mm	11.8 x 6.6 in. 300 x 168.75 mm	11.8 x 6.6 in. 300 x 168.75 mm	11.8 x 6.6 in. 300 x 168.75 mm
	Weight per Module	0.8 lbs. / 0.37 kg	0.7 lbs. / 0.34 kg	0.7 lbs. / 0.32 kg	1.4 lbs. / 0.64 kg
	No. of Modules per Cabinet (W x H)	2 x 2	2 x 2	2 x 2	2 x 1
	Cabinet Resolution (W x H, pixels)	480 x 270	384 x 216	320 x 180	240 x 135
	Cabinet Dimensions (W x H x D)	23.6 x 13.3 x 1.3 in. 600 x 337.5 x 34 mm	23.6 x 13.3 x 1.3 in. 600 x 337.5 x 34 mm	23.6 x 13.3 x 1.3 in. 600 x 337.5 x 34 mm	23.6 x 13.3 x 1.3 in. 600 x 337.5 x 34 mm
	Cabinet Surface Area	2.15 ft <sup>2</sup> / 0.2 m <sup>2</sup>	2.15 ft <sup>2</sup> / 0.2 m <sup>2</sup>	2.15 ft <sup>2</sup> / 0.2 m <sup>2</sup>	2.15 ft <sup>2</sup> / 0.2 m <sup>2</sup>
	Weight per Cabinet	11.7 lbs. / 5.3 kg	11.7 lbs. / 5.3 kg	11.7 lbs. / 5.3 kg	11.7 lbs. / 5.3 kg
	Weight per Unit Area	5.36 lb/ft <sup>2</sup> / 26.17 kg/m <sup>2</sup>	5.36 lb/ft <sup>2</sup> / 26.17 kg/m <sup>2</sup>	5.36 lb/ft <sup>2</sup> / 26.17 kg/m <sup>2</sup>	5.36 lb/ft <sup>2</sup> / 26.17 kg/m <sup>2</sup>
	Physical Pixel Density (pixels/m <sup>2</sup> )	640,000	409,600	284,444	160,000
	Flatness of Cabinet (mm)	±0.1	±0.1	±0.1	±0.1
	Cabinet Material	Die-casting Aluminum	Die-casting Aluminum	Die-casting Aluminum	Die-casting Aluminum
Service Access	Front	Front	Front	Front	
Optical Specifications	Max. Brightness (After Calibration, nits)	800	800	800	800
	Color Temperature (K)	3,200-9,300	3,200-9,300	3,200-9,300	3,200-9,300
	Visual Viewing Angle (H x V)	160° x 160°	160° x 160°	160° x 160°	160° x 160°
	Brightness Uniformity	0.97	0.97	0.97	0.97
	Color Uniformity	±0.003 Cx, Cy	±0.003 Cx, Cy	±0.003 Cx, Cy	±0.003 Cx, Cy
	Contrast Ratio	5,000 : 1	5,000 : 1	5,000 : 1	5,000 : 1
	Processing Depth (bit)	14	16 (HDR10, HDR10 Pro)	14 (HDR10, HDR10 Pro)	14 (HDR10, HDR10 Pro)
Electrical Specifications	Power Consumption (W/Cabinet, Max.)	150	150	150	100
	Power Consumption (W/Cabinet, Avg.)	50	50	50	34
	Power Consumption (W/m <sup>2</sup> , Max.)	740	740	740	494
	Heat Dissipation (BTU/h/Cabinet, Max.)	512	512	512	341
	Heat Dissipation (BTU/h/Cabinet, Avg.)	171	171	171	116
	Heat Dissipation (BTU/h/m <sup>2</sup> , Max.)	2,528	2,528	2,528	1,685
	Power Supply (Vac)	100 to 240	100 to 240	100 to 240	100 to 240
	Frame Rate (Hz)	50 / 60	50 / 60	50 / 60	50 / 60
	Refresh Rate (Hz)	3,840	3,840	3,840	3,840
Operation Specifications	Lifetime (Half Brightness)*	100,000 hours	100,000 hours	100,000 hours	100,000 hours
	Operating Temperature	14 to 113 °F -10 to 45 °C	14 to 113 °F -10 to 45 °C	14 to 113 °F -10 to 45 °C	14 to 113 °F -10 to 45 °C
	Operating Humidity	0-80% RH	0-80% RH	0-80% RH	0-80% RH
	IP Rating Front / Rear	IP30 / IP30	IP30 / IP30	IP30 / IP30	IP30 / IP30
Regulatory	Certification	CE, FCC, ETL, EMC Class-B	CE, FCC, ETL, EMC Class-B	CE, FCC, ETL, EMC Class-B	CE, FCC, ETL, EMC Class-B
	Certification (Fire Protection)	BS476 Part7 Class1, EN13501-1	BS476 Part7 Class1, EN13501-1	BS476 Part7 Class1, EN13501-1	BS476 Part7 Class1, EN13501-1
Environment		RoHS, REACH	RoHS, REACH	RoHS, REACH	RoHS, REACH
Controller		CVCA	CVCA	CVCA	CVCA
90 Degree Corner Cut		Yes	Yes	Yes	Yes
Warranty		3 Year Limited	3 Year Limited	3 Year Limited	3 Year Limited

\* Lifetime estimate does not supersede standard 3-year limited warranty. Specifications are subject to change without notice.

## PANEL SPECIFICATIONS

Panel	Model Name	LSCB012-RN	LSCB015-RN	LSCB018-RN	LSCB025-RN
Physical Parameters	Pitch Name	P1.25	P1.56	P1.88	P2.50
	Pixel Configuration	Single SMD	Single SMD	Single SMD	Single SMD
	Pixel Pitch (mm)	1.25	1.56	1.88	2.50
	Module Resolution (W × H, pixels)	240 × 135	192 × 108	160 × 90	120 × 135
	Module Dimensions (W × H)	11.8 × 6.6 in. 300 × 168.75 mm	11.8 × 6.6 in. 300 × 168.75 mm	11.8 × 6.6 in. 300 × 168.75 mm	11.8 × 13.3 in. 300 × 337.5 mm
	Weight per Module	0.8 lbs. / 0.37 kg	0.7 lbs. / 0.34 kg	0.7 lbs. / 0.32 kg	1.4 lbs. / 0.64 kg
	No. of Modules per Cabinet (W × H)	2 × 2	2 × 2	2 × 2	2 × 1
	Cabinet Resolution (W × H, pixels)	480 × 270	384 × 216	320 × 180	240 × 135
	Cabinet Dimensions (W × H × D)	23.6 × 13.3 × 1.3 in. 600 × 337.5 × 34 mm	23.6 × 13.3 × 1.3 in. 600 × 337.5 × 34 mm	23.6 × 13.3 × 1.3 in. 600 × 337.5 × 34 mm	23.6 × 13.3 × 1.3 in. 600 × 337.5 × 34 mm
	Cabinet Surface Area	2.15 ft <sup>2</sup> / 0.2 m <sup>2</sup>	2.15 ft <sup>2</sup> / 0.2 m <sup>2</sup>	2.15 ft <sup>2</sup> / 0.2 m <sup>2</sup>	2.15 ft <sup>2</sup> / 0.2 m <sup>2</sup>
	Weight per Cabinet	11.8 lbs. / 5.33 kg	11.5 lbs. / 5.21 kg	11.1 lbs. / 5.05 kg	11.4 lbs. / 5.15 kg
	Weight per Unit Area	5.39 lb/ft <sup>2</sup> / 26.32 kg/m <sup>2</sup>	5.27 lb/ft <sup>2</sup> / 25.73 kg/m <sup>2</sup>	5.12 lb/ft <sup>2</sup> / 24.94 kg/m <sup>2</sup>	5.21 lb/ft <sup>2</sup> / 25.43 kg/m <sup>2</sup>
	Physical Pixel Density (pixels/m <sup>2</sup> )	640,000	409,600	284,444	160,000
	Flatness of Cabinet (mm)	±0.1	±0.1	±0.1	±0.1
	Cabinet Material	Die-casting Aluminum	Die-casting Aluminum	Die-casting Aluminum	Die-casting Aluminum
Service Access	Front	Front	Front	Front	
Optical Specifications	Max. Brightness (After Calibration, nits)	1,000	1,000	1,200	1,500
	Color Temperature (K)	3,200-9,300	3,200-9,300	3,200-9,300	3,200-9,300
	Visual Viewing Angle (H × V)	160° × 160°	160° × 160°	160° × 160°	160° × 160°
	Brightness Uniformity	0.97	0.97	0.97	0.97
	Color Uniformity	±0.003 Cx, Cy	±0.003 Cx, Cy	±0.003 Cx, Cy	±0.003 Cx, Cy
	Contrast Ratio	5,000 : 1	5,000 : 1	5,000 : 1	5,000 : 1
	Processing Depth (bit)	14 (HDR10, HDR10 Pro)	16 (HDR10, HDR10 Pro)	14 (HDR10, HDR10 Pro)	14 (HDR10, HDR10 Pro)
Electrical Specifications	Power Consumption (W/Cabinet, Max.)	150	150	150	150
	Power Consumption (W/Cabinet, Avg.)	50	50	50	50
	Power Consumption (W/m <sup>2</sup> , Max.)	740	740	740	740
	Heat Dissipation (BTU/h/Cabinet, Max.)	512	512	512	512
	Heat Dissipation (BTU/h/Cabinet, Avg.)	171	171	171	171
	Heat Dissipation (BTU/h/m <sup>2</sup> , Max.)	2,528	2,528	2,528	2,525
	Power Supply (Vac)	100 to 240	100 to 240	100 to 240	100 to 240
	Frame Rate (Hz)	50 / 60	50 / 60	50 / 60	50 / 60
	Refresh Rate (Hz)	3,840	3,840	3,840	3,840
Operation Specifications	Lifetime (Half Brightness)*	100,000 hours	100,000 hours	100,000 hours	100,000 hours
	Operating Temperature	14 to 113 °F -10 to 45 °C	14 to 113 °F -10 to 45 °C	14 to 113 °F -10 to 45 °C	14 to 113 °F -10 to 45 °C
	Operating Humidity	0-80% RH	0-80% RH	0-80% RH	0-80% RH
	IP Rating Front / Rear	IP30 / IP30	IP30 / IP30	IP30 / IP30	IP30 / IP30
Regulatory	Certification	CE, FCC, ETL, EMC Class-B	CE, FCC, ETL, EMC Class-B	CE, FCC, ETL, EMC Class-B	CE, FCC, ETL, EMC Class-B
	Certification (Fire Protection)	BS476 Part7 Class1, EN13501-1	BS476 Part7 Class1, EN13501-1	BS476 Part7 Class1, EN13501-1	BS476 Part7 Class1, EN13501-1
Environment		RoHS, REACH	RoHS, REACH	RoHS, REACH	RoHS, REACH
Controller		CVCA	CVCA	CVCA	CVCA
90 Degree Corner Cut		Yes	Yes	Yes	Yes
Warranty		3 Year Limited	3 Year Limited	3 Year Limited	3 Year Limited

\* Lifetime estimate does not supersede standard 3-year limited warranty. Specifications are subject to change without notice.

## PANEL SPECIFICATIONS

Panel	Model Name	LSCB012-PK	LSCB015-PK	LSCB018-PK	LSCB025-PK
Physical Parameters	Pitch Name	P1.25	P1.56	P1.88	P2.50
	Pixel Configuration	Single SMD	Single SMD	Single SMD	Single SMD
	Pixel Pitch (mm)	1.25	1.56	1.88	2.50
	Module Resolution (W × H, pixels)	240 × 135	192 × 108	160 × 90	120 × 135
	Module Dimensions (W × H)	11.8 × 6.6 in. 300 × 168.75 mm	11.8 × 6.6 in. 300 × 168.75 mm	11.8 × 6.6 in. 300 × 168.75 mm	11.8 × 13.3 in. 300 × 337.5 mm
	Weight per Module	0.8 lbs. / 0.37 kg	0.7 lbs. / 0.34 kg	0.7 lbs. / 0.32 kg	1.4 lbs. / 0.64 kg
	No. of Modules per Cabinet (W × H)	2 × 2	2 × 2	2 × 2	2 × 1
	Cabinet Resolution (W × H, pixels)	480 × 270	384 × 216	320 × 180	240 × 135
	Cabinet Dimensions (W × H × D)	23.6 × 13.3 × 1.3 in. 600 × 337.5 × 34 mm	23.6 × 13.3 × 1.3 in. 600 × 337.5 × 34 mm	23.6 × 13.3 × 1.3 in. 600 × 337.5 × 34 mm	23.6 × 13.3 × 1.3 in. 600 × 337.5 × 34 mm
	Cabinet Surface Area	2.15 ft <sup>2</sup> / 0.2 m <sup>2</sup>	2.15 ft <sup>2</sup> / 0.2 m <sup>2</sup>	2.15 ft <sup>2</sup> / 0.2 m <sup>2</sup>	2.15 ft <sup>2</sup> / 0.2 m <sup>2</sup>
	Weight per Cabinet	12.3 lbs. / 5.6 kg	12.3 lbs. / 5.6 kg	12.3 lbs. / 5.6 kg	12.3 lbs. / 5.6 kg
	Weight per Unit Area	5.67 lb/ft <sup>2</sup> / 27.7 kg/m <sup>2</sup>	5.67 lb/ft <sup>2</sup> / 27.7 kg/m <sup>2</sup>	5.67 lb/ft <sup>2</sup> / 27.7 kg/m <sup>2</sup>	5.67 lb/ft <sup>2</sup> / 27.7 kg/m <sup>2</sup>
	Physical Pixel Density (pixels/m <sup>2</sup> )	640,000	409,600	284,444	160,000
	Flatness of Cabinet (mm)	±0.1	±0.1	±0.1	±0.1
	Cabinet Material	Die-casting Aluminum	Die-casting Aluminum	Die-casting Aluminum	Die-casting Aluminum
Service Access	Front	Front	Front	Front	
Optical Specifications	Max. Brightness (After Calibration, nits)	800	800	800	800
	Color Temperature (K)	3,200-9,300	3,200-9,300	3,200-9,300	3,200-9,300
	Visual Viewing Angle (H × V)	160° × 160°	160° × 160°	160° × 160°	160° × 160°
	Brightness Uniformity	0.97	0.97	0.97	0.97
	Color Uniformity	±0.003 Cx, Cy	±0.003 Cx, Cy	±0.003 Cx, Cy	±0.003 Cx, Cy
	Contrast Ratio	5,000 : 1	5,000 : 1	5,000 : 1	5,000 : 1
	Processing Depth (bit)	14	16 (HDR10, HDR10 Pro)	14 (HDR10, HDR10 Pro)	14 (HDR10, HDR10 Pro)
Electrical Specifications	Power Consumption (W/Cabinet, Max.)	160	160	170	110
	Power Consumption (W/Cabinet, Avg.)	53	53	57	37
	Power Consumption (W/m <sup>2</sup> , Max.)	790	790	840	543
	Heat Dissipation (BTU/h/Cabinet, Max.)	546	546	580	375
	Heat Dissipation (BTU/h/Cabinet, Avg.)	182	182	193	125
	Heat Dissipation (BTU/h/m <sup>2</sup> , Max.)	2,696	2,696	2,865	1,854
	Power Supply (Vac)	100 to 240	100 to 240	100 to 240	100 to 240
	Frame Rate (Hz)	50 / 60	50 / 60	50 / 60	50 / 60
	Refresh Rate (Hz)	3,840	3,840	3,840	3,840
Operation Specifications	Lifetime (Half Brightness)*	100,000 hours	100,000 hours	100,000 hours	100,000 hours
	Operating Temperature	14 to 113 °F -10 to 45 °C	14 to 113 °F -10 to 45 °C	14 to 113 °F -10 to 45 °C	14 to 113 °F -10 to 45 °C
	Operating Humidity	0-80% RH	0-80% RH	0-80% RH	0-80% RH
	IP Rating Front / Rear	IP30 / IP30	IP30 / IP30	IP30 / IP30	IP30 / IP30
Regulatory	Certification	CE, FCC, ETL, EMC Class-B	CE, FCC, ETL, EMC Class-B	CE, FCC, ETL, EMC Class-B	CE, FCC, ETL, EMC Class-B
	Certification (Fire Protection)	Fire Protection	Fire Protection	Fire Protection	Fire Protection
Environment		RoHS, REACH	RoHS, REACH	RoHS, REACH	RoHS, REACH
Controller		CVCA	CVCA	CVCA	CVCA
90 Degree Corner Cut		Yes	Yes	Yes	Yes
Warranty		3 Year Limited	3 Year Limited	3 Year Limited	3 Year Limited

\* Lifetime estimate does not supersede standard 3-year limited warranty. Specifications are subject to change without notice.

## PANEL SPECIFICATIONS

Panel	Model Name	LSCB012-PN	LSCB015-PN	LSCB018-PN	LSCB025-PN
Physical Parameters	Pitch Name	P1.25	P1.56	P1.88	P2.50
	Pixel Configuration	Single SMD	Single SMD	Single SMD	Single SMD
	Pixel Pitch (mm)	1.25	1.56	1.88	2.50
	Module Resolution (W × H, pixels)	240 × 135	192 × 108	160 × 90	120 × 135
	Module Dimensions (W × H)	11.8 × 6.6 in. 300 × 168.75 mm	11.8 × 6.6 in. 300 × 168.75 mm	11.8 × 6.6 in. 300 × 168.75 mm	11.8 × 13.3 in. 300 × 337.5 mm
	Weight per Module	0.8 lbs. / 0.37 kg	0.7 lbs. / 0.34 kg	0.7 lbs. / 0.32 kg	1.4 lbs. / 0.64 kg
	No. of Modules per Cabinet (W × H)	2 × 2	2 × 2	2 × 2	2 × 1
	Cabinet Resolution (W × H, pixels)	480 × 270	384 × 216	320 × 180	240 × 135
	Cabinet Dimensions (W × H × D)	23.6 × 13.3 × 1.3 in. 600 × 337.5 × 34 mm	23.6 × 13.3 × 1.3 in. 600 × 337.5 × 34 mm	23.6 × 13.3 × 1.3 in. 600 × 337.5 × 34 mm	23.6 × 13.3 × 1.3 in. 600 × 337.5 × 34 mm
	Cabinet Surface Area	2.15 ft <sup>2</sup> / 0.2 m <sup>2</sup>	2.15 ft <sup>2</sup> / 0.2 m <sup>2</sup>	2.15 ft <sup>2</sup> / 0.2 m <sup>2</sup>	2.15 ft <sup>2</sup> / 0.2 m <sup>2</sup>
	Weight per Cabinet	12.3 lbs. / 5.6 kg	12.3 lbs. / 5.6 kg	12.3 lbs. / 5.6 kg	12.3 lbs. / 5.6 kg
	Weight per Unit Area	5.67 lb/ft <sup>2</sup> / 27.7 kg/m <sup>2</sup>	5.67 lb/ft <sup>2</sup> / 27.7 kg/m <sup>2</sup>	5.67 lb/ft <sup>2</sup> / 27.7 kg/m <sup>2</sup>	5.67 lb/ft <sup>2</sup> / 27.7 kg/m <sup>2</sup>
	Physical Pixel Density (pixels/m <sup>2</sup> )	640,000	409,600	284,444	160,000
	Flatness of Cabinet (mm)	±0.1	±0.1	±0.1	±0.1
	Cabinet Material	Die-casting Aluminum	Die-casting Aluminum	Die-casting Aluminum	Die-casting Aluminum
Service Access	Front	Front	Front	Front	
Optical Specifications	Max. Brightness (After Calibration, nits)	1,000	1,000	1,200	1,500
	Color Temperature (K)	3,200-9,300	3,200-9,300	3,200-9,300	3,200-9,300
	Visual Viewing Angle (H × V)	160° × 160°	160° × 160°	160° × 160°	160° × 160°
	Brightness Uniformity	0.97	0.97	0.97	0.97
	Color Uniformity	±0.003 Cx, Cy	±0.003 Cx, Cy	±0.003 Cx, Cy	±0.003 Cx, Cy
	Contrast Ratio	5,000 : 1	5,000 : 1	5,000 : 1	5,000 : 1
	Processing Depth (bit)	14 (HDR10, HDR10 Pro)	16 (HDR10, HDR10 Pro)	14 (HDR10, HDR10 Pro)	14 (HDR10, HDR10 Pro)
Electrical Specifications	Power Consumption (W/Cabinet, Max.)	160	160	170	110
	Power Consumption (W/Cabinet, Avg.)	53	53	57	37
	Power Consumption (W/m <sup>2</sup> , Max.)	790	790	840	543
	Heat Dissipation (BTU/h/Cabinet, Max.)	546	546	580	375
	Heat Dissipation (BTU/h/Cabinet, Avg.)	182	182	193	125
	Heat Dissipation (BTU/h/m <sup>2</sup> , Max.)	2,696	2,696	2,865	1,854
	Power Supply (Vac)	100 to 240	100 to 240	100 to 240	100 to 240
	Frame Rate (Hz)	50 / 60	50 / 60	50 / 60	50 / 60
	Refresh Rate (Hz)	3,840	3,840	3,840	3,840
Operation Specifications	Lifetime (Half Brightness)*	100,000 hours	100,000 hours	100,000 hours	100,000 hours
	Operating Temperature	14 to 113 °F -10 to 45 °C	14 to 113 °F -10 to 45 °C	14 to 113 °F -10 to 45 °C	14 to 113 °F -10 to 45 °C
	Operating Humidity	0-80% RH	0-80% RH	0-80% RH	0-80% RH
	IP Rating Front / Rear	IP30 / IP30	IP30 / IP30	IP30 / IP30	IP30 / IP30
Regulatory	Certification	CE, FCC, ETL, EMC Class-B	CE, FCC, ETL, EMC Class-B	CE, FCC, ETL, EMC Class-B	CE, FCC, ETL, EMC Class-B
	Certification (Fire Protection)	Fire Protection	Fire Protection	Fire Protection	Fire Protection
Environment		RoHS, REACH	RoHS, REACH	RoHS, REACH	RoHS, REACH
Controller		CVCA	CVCA	CVCA	CVCA
90 Degree Corner Cut		Yes	Yes	Yes	Yes
Warranty		3 Year Limited	3 Year Limited	3 Year Limited	3 Year Limited

\* Lifetime estimate does not supersede standard 3-year limited warranty. Specifications are subject to change without notice.



## PANEL SPECIFICATIONS

Panel	Model Name	LSCB012-CK	LSCB015-CK	LSCB018-CK	LSCB025-CK
Physical Parameters	Pitch Name	P1.25	P1.56	P1.88	P2.50
	Pixel Configuration	Single SMD	Single SMD	Single SMD	Single SMD
	Pixel Pitch (mm)	1.25	1.56	1.88	2.50
	Module Resolution (W × H, pixels)	240 × 135	192 × 108	160 × 90	120 × 135
	Module Dimensions (W × H)	11.8 × 6.6 in. 300 × 168.75 mm	11.8 × 6.6 in. 300 × 168.75 mm	11.8 × 6.6 in. 300 × 168.75 mm	11.8 × 13.3 in. 300 × 337.5 mm
	Weight per Module	0.8 lbs. / 0.37 kg	0.7 lbs. / 0.34 kg	0.7 lbs. / 0.32 kg	1.4 lbs. / 0.64 kg
	No. of Modules per Cabinet (W × H)	1 × 2	1 × 2	1 × 2	1 × 1
	Cabinet Resolution (W × H, pixels)	240 × 270	192 × 216	160 × 180	120 × 135
	Cabinet Dimensions (W × H × D)	11.8 × 13.3 × 1.3 in. 300 × 337.5 × 34 mm	11.8 × 13.3 × 1.3 in. 300 × 337.5 × 34 mm	11.8 × 13.3 × 1.3 in. 300 × 337.5 × 34 mm	11.8 × 13.3 × 1.3 in. 300 × 337.5 × 34 mm
	Cabinet Surface Area	1.08 ft <sup>2</sup> / 0.1 m <sup>2</sup>	1.08 ft <sup>2</sup> / 0.1 m <sup>2</sup>	1.08 ft <sup>2</sup> / 0.1 m <sup>2</sup>	1.08 ft <sup>2</sup> / 0.1 m <sup>2</sup>
	Weight per Cabinet	6.2 lbs. / 2.83 kg	6.1 lbs. / 2.77 kg	5.9 lbs. / 2.69 kg	6.0 lbs. / 2.74 kg
	Weight per Unit Area	5.72 lb/ft <sup>2</sup> / 27.95 kg/m <sup>2</sup>	5.6 lb/ft <sup>2</sup> / 27.36 kg/m <sup>2</sup>	5.44 lb/ft <sup>2</sup> / 26.57 kg/m <sup>2</sup>	5.54 lb/ft <sup>2</sup> / 27.06 kg/m <sup>2</sup>
	Physical Pixel Density (pixels/m <sup>2</sup> )	640,000	409,600	284,444	160,000
	Flatness of Cabinet (mm)	±0.1	±0.1	±0.1	±0.1
	Cabinet Material	Die-casting Aluminum	Die-casting Aluminum	Die-casting Aluminum	Die-casting Aluminum
Service Access	Front	Front	Front	Front	
Optical Specifications	Max. Brightness (After Calibration, nits)	800	800	800	800
	Color Temperature (K)	3,200-9,300	3,200-9,300	3,200-9,300	3,200-9,300
	Visual Viewing Angle (H × V)	160° × 160°	160° × 160°	160° × 160°	160° × 160°
	Brightness Uniformity	0.97	0.97	0.97	0.97
	Color Uniformity	±0.003 Cx, Cy	±0.003 Cx, Cy	±0.003 Cx, Cy	±0.003 Cx, Cy
	Contrast Ratio	5,000 : 1	5,000 : 1	5,000 : 1	5,000 : 1
	Processing Depth (bit)	14 (HDR10, HDR10 Pro)	16 (HDR10, HDR10 Pro)	14 (HDR10, HDR10 Pro)	14 (HDR10, HDR10 Pro)
Electrical Specifications	Power Consumption (W/Cabinet, Max.)	75	75	75	55
	Power Consumption (W/Cabinet, Avg.)	25	25	25	18
	Power Consumption (W/m <sup>2</sup> , Max.)	740	740	740	543
	Heat Dissipation (BTU/h/Cabinet, Max.)	256	256	256	188
	Heat Dissipation (BTU/h/Cabinet, Avg.)	85	85	85	62
	Heat Dissipation (BTU/h/m <sup>2</sup> , Max.)	2,528	2,528	2,528	1,854
	Power Supply (Vac)	100 to 240	100 to 240	100 to 240	100 to 240
	Frame Rate (Hz)	50 / 60	50 / 60	50 / 60	50 / 60
	Refresh Rate (Hz)	3,840	3,840	3,840	3,840
Operation Specifications	Lifetime (Half Brightness)*	100,000 hours	100,000 hours	100,000 hours	100,000 hours
	Operating Temperature	14 to 113 °F -10 to 45 °C	14 to 113 °F -10 to 45 °C	14 to 113 °F -10 to 45 °C	14 to 113 °F -10 to 45 °C
	Operating Humidity	0-80% RH	0-80% RH	0-80% RH	0-80% RH
	IP Rating Front / Rear	IP30 / IP30	IP30 / IP30	IP30 / IP30	IP30 / IP30
Regulatory	Certification	CE, FCC, ETL, EMC Class-B	CE, FCC, ETL, EMC Class-B	CE, FCC, ETL, EMC Class-B	CE, FCC, ETL, EMC Class-B
	Certification (Fire Protection)	BS476 Part7 Class1, EN13501-1	BS476 Part7 Class1, EN13501-1	BS476 Part7 Class1, EN13501-1	BS476 Part7 Class1, EN13501-1
Environment		RoHS, REACH	RoHS, REACH	RoHS, REACH	RoHS, REACH
Controller		CVCA	CVCA	CVCA	CVCA
90 Degree Corner Cut		Yes	Yes	Yes	Yes
Warranty		3 Year Limited	3 Year Limited	3 Year Limited	3 Year Limited

\* Lifetime estimate does not supersede standard 3-year limited warranty. Specifications are subject to change without notice.

## PANEL SPECIFICATIONS

Panel	Model Name	LSCB015-CN	LSCB018-CN	LSCB025-CN
Physical Parameters	Pitch Name	P1.56	P1.88	P2.50
	Pixel Configuration	Single SMD	Single SMD	Single SMD
	Pixel Pitch (mm)	1.56	1.88	2.50
	Module Resolution (W x H, pixels)	192 x 108	160 x 90	120 x 135
	Module Dimensions (W x H)	11.8 x 6.6 in. 300 x 168.75 mm	11.8 x 6.6 in. 300 x 168.75 mm	11.8 x 13.3 in. 300 x 337.5 mm
	Weight per Module	0.8 lbs. / 0.37 kg	0.7 lbs. / 0.32 kg	1.4 lbs. / 0.64 kg
	No. of Modules per Cabinet (W x H)	1 x 2	1 x 2	1 x 1
	Cabinet Resolution (W x H, pixels)	192 x 216	160 x 180	120 x 135
	Cabinet Dimensions (W x H x D)	11.8 x 13.3 x 1.3 in. 300 x 337.5 x 34 mm	11.8 x 13.3 x 1.3 in. 300 x 337.5 x 34 mm	11.8 x 13.3 x 1.3 in. 300 x 337.5 x 34 mm
	Cabinet Surface Area	1.08 ft <sup>2</sup> / 0.1 m <sup>2</sup>	1.08 ft <sup>2</sup> / 0.1 m <sup>2</sup>	1.08 ft <sup>2</sup> / 0.1 m <sup>2</sup>
	Weight per Cabinet	6.1 lbs. / 2.77 kg	5.9 lbs. / 2.69 kg	6.0 lbs. / 2.74 kg
	Weight per Unit Area	5.6 lb/ft <sup>2</sup> / 27.36 kg/m <sup>2</sup>	5.44 lb/ft <sup>2</sup> / 26.57 kg/m <sup>2</sup>	5.54 lb/ft <sup>2</sup> / 27.06 kg/m <sup>2</sup>
	Physical Pixel Density (pixels/m <sup>2</sup> )	409,600	284,444	160,000
	Flatness of Cabinet (mm)	±0.1	±0.1	±0.1
	Cabinet Material	Die-casting Aluminum	Die-casting Aluminum	Die-casting Aluminum
Service Access	Front	Front	Front	
Optical Specifications	Max. Brightness (After Calibration, nits)	1,000	1,200	1,500
	Color Temperature (K)	3,200-9,300	3,200-9,300	3,200-9,300
	Visual Viewing Angle (H x V)	160° x 160°	160° x 160°	160° x 160°
	Brightness Uniformity	0.97	0.97	0.97
	Color Uniformity	±0.003 Cx, Cy	±0.003 Cx, Cy	±0.003 Cx, Cy
	Contrast Ratio	5,000 : 1	5,000 : 1	5,000 : 1
	Processing Depth (bit)	16 (HDR10, HDR10 Pro)	14 (HDR10, HDR10 Pro)	14 (HDR10, HDR10 Pro)
Electrical Specifications	Power Consumption (W/Cabinet, Max.)	75	75	75
	Power Consumption (W/Cabinet, Avg.)	25	25	25
	Power Consumption (W/m <sup>2</sup> , Max.)	740	740	740
	Heat Dissipation (BTU/h/Cabinet, Max.)	256	256	256
	Heat Dissipation (BTU/h/Cabinet, Avg.)	85	85	85
	Heat Dissipation (BTU/h/m <sup>2</sup> , Max.)	2,528	2,528	2,528
	Power Supply (Vac)	100 to 240	100 to 240	100 to 240
	Frame Rate (Hz)	50 / 60	50 / 60	50 / 60
	Refresh Rate (Hz)	3,840	3,840	3,840
Operation Specifications	Lifetime (Half Brightness)*	100,000 hours	100,000 hours	100,000 hours
	Operating Temperature	14 to 113 °F -10 to 45 °C	14 to 113 °F -10 to 45 °C	14 to 113 °F -10 to 45 °C
	Operating Humidity	0-80% RH	0-80% RH	0-80% RH
	IP Rating Front / Rear	IP30 / IP30	IP30 / IP30	IP30 / IP30
Regulatory	Certification	CE, FCC, ETL, EMC Class-B	CE, FCC, ETL, EMC Class-B	CE, FCC, ETL, EMC Class-B
	Certification (Fire Protection)	BS476 Part7 Class1, EN13501-1	BS476 Part7 Class1, EN13501-1	BS476 Part7 Class1, EN13501-1
Environment		RoHS, REACH	RoHS, REACH	RoHS, REACH
Controller		CVCA	CVCA	CVCA
90 Degree Corner Cut		Yes	Yes	Yes
Warranty		3 Year Limited	3 Year Limited	3 Year Limited

\* Lifetime estimate does not supersede standard 3-year limited warranty. Specifications are subject to change without notice.

## PANEL SPECIFICATIONS

Panel	Model Name	LSCB012-CKF	LSCB015-CKF	LSCB018-CKF	LSCB025-CKF
Physical Parameters	Pitch Name	P1.25	P1.56	P1.88	P2.50
	Pixel Configuration	Single SMD	Single SMD	Single SMD	Single SMD
	Pixel Pitch (mm)	1.25	1.56	1.88	2.50
	Module Resolution (W × H, pixels)	240 × 135	192 × 108	160 × 90	120 × 135
	Module Dimensions (W × H)	11.8 × 6.6 in. 300 × 168.75 mm	11.8 × 6.6 in. 300 × 168.75 mm	11.8 × 6.6 in. 300 × 168.75 mm	11.8 × 13.3 in. 300 × 337.5 mm
	Weight per Module	0.8 lbs. / 0.37 kg	0.7 lbs. / 0.34 kg	0.7 lbs. / 0.32 kg	1.4 lbs. / 0.64 kg
	No. of Modules per Cabinet (W × H)	1 × 2	1 × 2	1 × 2	1 × 1
	Cabinet Resolution (W × H, pixels)	240 × 270	192 × 216	160 × 180	120 × 135
	Cabinet Dimensions (Depth Changes for Different Curve)	11.8 × 13.3 × 2.3 in. 300 × 337.5 × 58 mm	11.8 × 13.3 × 2.3 in. 300 × 337.5 × 58 mm	11.8 × 13.3 × 2.3 in. 300 × 337.5 × 58 mm	11.8 × 13.3 × 2.3 in. 300 × 337.5 × 58 mm
	Cabinet Surface Area	1.08 ft <sup>2</sup> / 0.1 m <sup>2</sup>	1.08 ft <sup>2</sup> / 0.1 m <sup>2</sup>	1.08 ft <sup>2</sup> / 0.1 m <sup>2</sup>	1.08 ft <sup>2</sup> / 0.1 m <sup>2</sup>
	Weight per Cabinet (Weight Changes for Different Curve)	5.7 lbs. / 2.6 kg	5.7 lbs. / 2.6 kg	5.5 lbs. / 2.5 kg	5.5 lbs. / 2.5 kg
	Weight per Unit Area	5.28 lb/ft <sup>2</sup> / 25.78 kg/m <sup>2</sup>	5.16 lb/ft <sup>2</sup> / 25.19 kg/m <sup>2</sup>	5.08 lb/ft <sup>2</sup> / 24.79 kg/m <sup>2</sup>	5.08 lb/ft <sup>2</sup> / 24.79 kg/m <sup>2</sup>
	Physical Pixel Density (pixels/m <sup>2</sup> )	640,000	409,600	284,444	160,000
	Flatness of Cabinet (mm)	±0.1	±0.1	±0.1	±0.1
Cabinet Material	Die-casting Aluminum	Die-casting Aluminum	Die-casting Aluminum	Die-casting Aluminum	
Service Access	Front	Front	Front	Front	
Optical Specifications	Max. Brightness (After Calibration, nits)	800	800	800	800
	Color Temperature (K)	3,200-9,300	3,200-9,300	3,200-9,300	3,200-9,300
	Visual Viewing Angle (H × V)	160° × 160°	160° × 160°	160° × 160°	160° × 160°
	Brightness Uniformity	0.97	0.97	0.97	0.97
	Color Uniformity	±0.003 Cx, Cy	±0.003 Cx, Cy	±0.003 Cx, Cy	±0.003 Cx, Cy
	Contrast Ratio	5,000 : 1	5,000 : 1	5,000 : 1	5,000 : 1
	Processing Depth (bit)	14 (HDR10, HDR10 Pro)	16 (HDR10, HDR10 Pro)	14 (HDR10, HDR10 Pro)	14 (HDR10, HDR10 Pro)
Electrical Specifications	Power Consumption (W/Cabinet, Max.)	75	75	75	55
	Power Consumption (W/Cabinet, Avg.)	25	25	25	18
	Power Consumption (W/m <sup>2</sup> , Max.)	740	740	740	543
	Heat Dissipation (BTU/h/Cabinet, Max.)	256	256	256	188
	Heat Dissipation (BTU/h/Cabinet, Avg.)	85	85	85	62
	Heat Dissipation (BTU/h/m <sup>2</sup> , Max.)	2,528	2,528	2,528	1,854
	Power Supply (Vac)	100 to 240	100 to 240	100 to 240	100 to 240
	Frame Rate (Hz)	50 / 60	50 / 60	50 / 60	50 / 60
Refresh Rate (Hz)	3,840	3,840	3,840	3,840	
Operation Specifications	Lifetime (Half Brightness)*	100,000 hours	100,000 hours	100,000 hours	100,000 hours
	Operating Temperature	14 to 113 °F -10 to 45 °C	14 to 113 °F -10 to 45 °C	14 to 113 °F -10 to 45 °C	14 to 113 °F -10 to 45 °C
	Operating Humidity	0-80% RH	0-80% RH	0-80% RH	0-80% RH
	IP Rating Front / Rear	IP30 / IP30	IP30 / IP30	IP30 / IP30	IP30 / IP30
Regulatory	Certification	CE, FCC, ETL, EMC Class-B	CE, FCC, ETL, EMC Class-B	CE, FCC, ETL, EMC Class-B	CE, FCC, ETL, EMC Class-B
	Certification (Fire Protection)	BS476 Part7 Class1, EN13501-1	BS476 Part7 Class1, EN13501-1	BS476 Part7 Class1, EN13501-1	BS476 Part7 Class1, EN13501-1
Environment		RoHS, REACH	RoHS, REACH	RoHS, REACH	RoHS, REACH
Controller		CVCA	CVCA	CVCA	CVCA
90 Degree Corner Cut		Yes	Yes	Yes	Yes
Warranty		3 Year Limited	3 Year Limited	3 Year Limited	3 Year Limited

\* Lifetime estimate does not supersede standard 3-year limited warranty. Specifications are subject to change without notice.

## PANEL SPECIFICATIONS

Panel	Model Name	LSCB015-CNF	LSCB018-CNF	LSCB025-CNF
Physical Parameters	Pitch Name	P1.56	P1.88	P2.50
	Pixel Configuration	Single SMD	Single SMD	Single SMD
	Pixel Pitch (mm)	1.56	1.88	2.50
	Module Resolution (W × H, pixels)	192 × 108	160 × 90	120 × 135
	Module Dimensions (W × H)	11.8 × 6.6 in. 300 × 168.75 mm	11.8 × 6.6 in. 300 × 168.75 mm	11.8 × 13.3 in. 300 × 337.5 mm
	Weight per Module	0.7 lbs. / 0.34 kg	0.7 lbs. / 0.32 kg	1.4 lbs. / 0.64 kg
	No. of Modules per Cabinet (W × H)	1 × 2	1 × 2	1 × 1
	Cabinet Resolution (W × H, pixels)	192 × 216	160 × 180	120 × 135
	Cabinet Dimensions (Depth Changes for Different Curve)	11.8 × 13.3 × 2.3 in. 300 × 337.5 × 58 mm	11.8 × 13.3 × 2.3 in. 300 × 337.5 × 59 mm	11.8 × 13.3 × 2.4 in. 300 × 337.5 × 60 mm
	Cabinet Surface Area	1.08 ft <sup>2</sup> / 0.1 m <sup>2</sup>	1.08 ft <sup>2</sup> / 0.1 m <sup>2</sup>	1.08 ft <sup>2</sup> / 0.1 m <sup>2</sup>
	Weight per Cabinet (Weight Changes for Different Curve)	5.7 lbs. / 2.6 kg	5.5 lbs. / 2.5 kg	5.5 lbs. / 2.5 kg
	Weight per Unit Area	5.16 lb/ft <sup>2</sup> / 25.19 kg/m <sup>2</sup>	5.08 lb/ft <sup>2</sup> / 24.79 kg/m <sup>2</sup>	5.08 lb/ft <sup>2</sup> / 24.79 kg/m <sup>2</sup>
	Physical Pixel Density (pixels/m <sup>2</sup> )	409,600	284,444	160,000
	Flatness of Cabinet (mm)	±0.1	±0.1	±0.1
	Cabinet Material	Die-casting Aluminum	Die-casting Aluminum	Die-casting Aluminum
Service Access	Front	Front	Front	
Optical Specifications	Max. Brightness (After Calibration, nits)	1,000	1,200	1,500
	Color Temperature (K)	3,200-9,300	3,200-9,300	3,200-9,300
	Visual Viewing Angle (H × V)	160° × 160°	160° × 160°	160° × 160°
	Brightness Uniformity	0.97	0.97	0.97
	Color Uniformity	±0.003 Cx, Cy	±0.003 Cx, Cy	±0.003 Cx, Cy
	Contrast Ratio	5,000 : 1	5,000 : 1	5,000 : 1
	Processing Depth (bit)	16 (HDR10, HDR10 Pro)	14 (HDR10, HDR10 Pro)	14 (HDR10, HDR10 Pro)
Electrical Specifications	Power Consumption (W/Cabinet, Max.)	75	75	75
	Power Consumption (W/Cabinet, Avg.)	25	25	25
	Power Consumption (W/m <sup>2</sup> , Max.)	740	740	740
	Heat Dissipation (BTU/h/Cabinet, Max.)	256	256	256
	Heat Dissipation (BTU/h/Cabinet, Avg.)	85	85	85
	Heat Dissipation (BTU/h/m <sup>2</sup> , Max.)	2,528	2,528	2,528
	Power Supply (Vac)	100 to 240	100 to 240	100 to 240
	Frame Rate (Hz)	50 / 60	50 / 60	50 / 60
	Refresh Rate (Hz)	3,840	3,840	3,840
Operation Specifications	Lifetime (Half Brightness)*	100,000 hours	100,000 hours	100,000 hours
	Operating Temperature	14 to 113 °F -10 to 45 °C	14 to 113 °F -10 to 45 °C	14 to 113 °F -10 to 45 °C
	Operating Humidity	0-80% RH	0-80% RH	0-80% RH
	IP Rating Front / Rear	IP30 / IP30	IP30 / IP30	IP30 / IP30
Regulatory	Certification	CE, FCC, ETL, EMC Class-B	CE, FCC, ETL, EMC Class-B	CE, FCC, ETL, EMC Class-B
	Certification (Fire Protection)	BS476 Part7 Class1, EN13501-1	BS476 Part7 Class1, EN13501-1	BS476 Part7 Class1, EN13501-1
Environment		RoHS, REACH	RoHS, REACH	RoHS, REACH
Controller		CVCA	CVCA	CVCA
90 Degree Corner Cut		Yes	Yes	Yes
Warranty		3 Year Limited	3 Year Limited	3 Year Limited

\* Lifetime estimate does not supersede standard 3-year limited warranty. Specifications are subject to change without notice.



# CONTROLLER SPECIFICATIONS

Controller	Model Name	LCIN006	LCIN007	LCIN008	LCIN009	CVCA
Max Output Range	Loading Capacity	1,920 × 1,200 @ 60Hz	1,920 × 1,200 @ 60Hz	4,096 × 2,160 @ 60Hz	1,920 × 1,200 @ 60Hz	3,840 × 2,160 @ 60Hz
	Max Output Range	Maximum Width : 3,840 Pixels, Maximum Height : 2,560 Pixels	Maximum Width : 3,840 Pixels, Maximum Height : 2,560 Pixels	Maximum Width : 7,680 Pixels, Maximum Height : 7,680 Pixels	Maximum Width : 3,840 Pixels, Maximum Height : 2,560 Pixels	-
	Output Resolution	2.304 Million Pixels	2.304 Million Pixels	8.8 Million Pixels	2.304 Million Pixels	8.2944 Million Pixels
Input	HDMI	HDMI 1.3	HDMI 1.3	HDMI 2.0	HDMI 1.4	HDMI 2.0 (1 port)
	HDCP	HDCP 1.4	HDCP 1.4	HDCP 1.4 / 2.2	HDCP 1.4	HDCP 2.2
	DP	No	No	DP 1.2 / HDCP 1.3	No	DP 1.2 (1 port) / HDCP 1.3
	DVI	Yes	Yes	Yes (2-channel)	Yes	No
	SDI	No	No	No	Yes (1-channel 3G-SDI)	No
	OPS	No	No	No	No	Yes
Output	HDMI	No / Yes (LOOP)	No / Yes (LOOP)	No	Yes (LOOP)	No
	DP	No	No	No	No	No
	DVI	No / Yes (LOOP)	No / Yes (LOOP)	No	Yes (LOOP)	No
	Optic (to LED Screen)	No	No	Yes (4-channel)	Yes (2-channel)	No
	Ethernet (to LED Screen)	Yes (4-channel)	Yes (4-channel)	Yes (16-channel)	Yes (6-channel)	Yes (16-channel)
	SDI	No	No	No	No	No
Control	LAN	No	No	Yes	Yes	Yes
	USB	Yes	Yes	Yes (LOOP)	Yes	No
	RS-232C	No / Yes (LOOP)	No / Yes (LOOP)	No	No	Yes (LOOP)
	Remote Control	No	No	No	No	No
	GenLock	No	No	Yes	Yes	No
Sensor	Ambient Light (External Sensor)	Yes	No / Yes (Must Use Together with MFN300B)	No / Yes (Must Use Together with MFN300B)	No / Yes (Must Use Together with MFN300B)	No / Yes (Must Use Together with MFN300B)
	Temperature (External Sensor)	No / Yes (Must Use Together with MFN300B)	No / Yes (Must Use Together with MFN300B)	No / Yes (Must Use Together with MFN300B)	No / Yes (Must Use Together with MFN300B)	No
	Temperature (Embedded Sensor)	No	No	No	No	Yes
Video Processing	Brightness Adjustment	Yes	Yes	Yes	Yes	Yes
	Chroma Adjustment	Yes	Yes	Yes	Yes	Yes
	Improved Grayscale at Low Brightness	No	No	Yes	Yes	Yes
	Scaling	No	No	No	No	Yes
	HDR	No	No	HDR10 / HLG	No	HDR10 Pro
	EDID Custom	Yes	Yes	Yes	Yes	No
Application	CMS	No	No	No	No	SuperSign CMS
	webOS API	No	No	No	No	Yes
	LG ConnectedCare	No	No	No	No	Yes
	Configuration SW	NovalCT	NovalCT	NovalCT	NovalCT	LED Assistant
Mechanical	Size (W × H × D, mm)	190 × 1.7 × 9.8 in. 482 × 44.4 × 250 mm	190 × 2.2 × 10.2 in. 483 × 55.3 × 258.1 mm	190 × 3.8 × 14.6 in. 482.6 × 96 × 372 mm	190 × 2.0 × 14.0 in. 482.6 × 50.1 × 356 mm	17.4 × 2.5 × 12.1 in. 443 × 63 × 307.5 mm
	Weight (kg)	7.9 lbs. / 3.6 kg	7.9 lbs. / 3.6 kg	10.1 lbs. / 4.6 kg	10.1 lbs. / 4.6 kg	10.8 lbs. / 4.9 kg

\* Specifications are subject to change without notice. Please make sure to check the product manual for details about product usage.